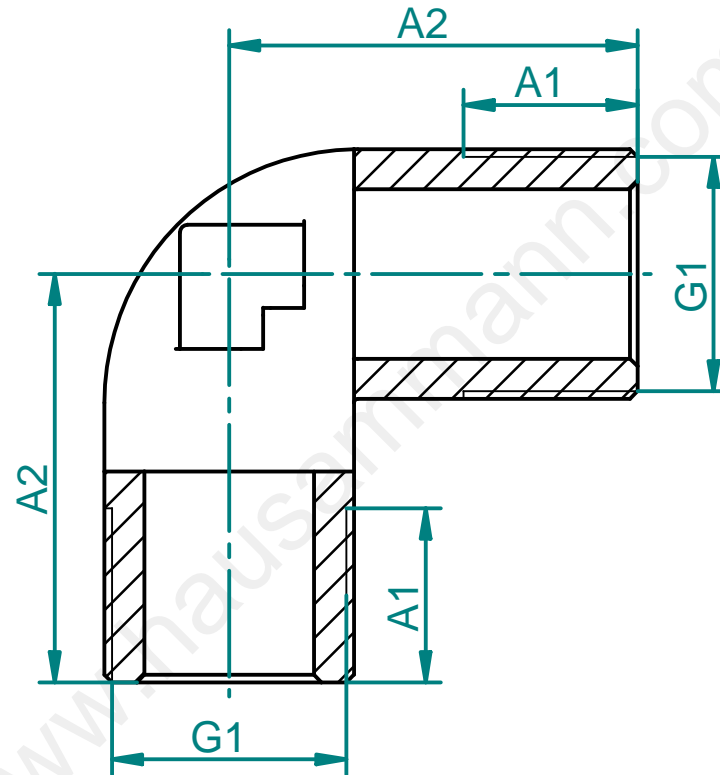




General tolerances ISO 2768-m						Index	Date	Visum	Modification	Index	Date	Visum	Modification
Basic-size	...6	> 6 ...30	> 30 ...120	> 120 ...400	> 400 ...1000								
medium	±0.1	±0.2	±0.3	±0.5	±0.8								



Specifications points D,K,H	
D= doc.points	
K= critical	
H= main	

		Material:			
		Messing vernickelt			
		Scale			
		2:1			
		 Date plotted 21.03.11		Visum E.Z	
		checked			
		38.782		Format <b>A4</b>	
				Index <b>00</b>	
Accord-draw.no.: Origin-draw.no.: Replacement for:		 <b>HAUSAMMANN</b> KOMponenten PRODUKTION SYSTEME			
		© 2010, Für dieses Dokument behalten wir uns alle Rechte vor.		© 2010, Nous nous reservons tous les droits sur ce document	
				© 2010, We reserve all rights in connection with this document	